

Installation instructions for KZNG5-2936-00, KZNG5-2937-00  
Under Run Protective Shield Fuel Tank

# TOYOTA Hilux



## Hilux

Model year:

2015-

Applicability:

GUN125L-DTFSHW; GUN125L-DTFMHW  
GUN126L-DTTMHW; GUN126L-DTTHHW

Part Number:

Steel: KZNG5-2936-00  
Aluminium: KZNG5-2937-00



Weight:

Steel: 10.66 kg  
Aluminium: 5.82 kg



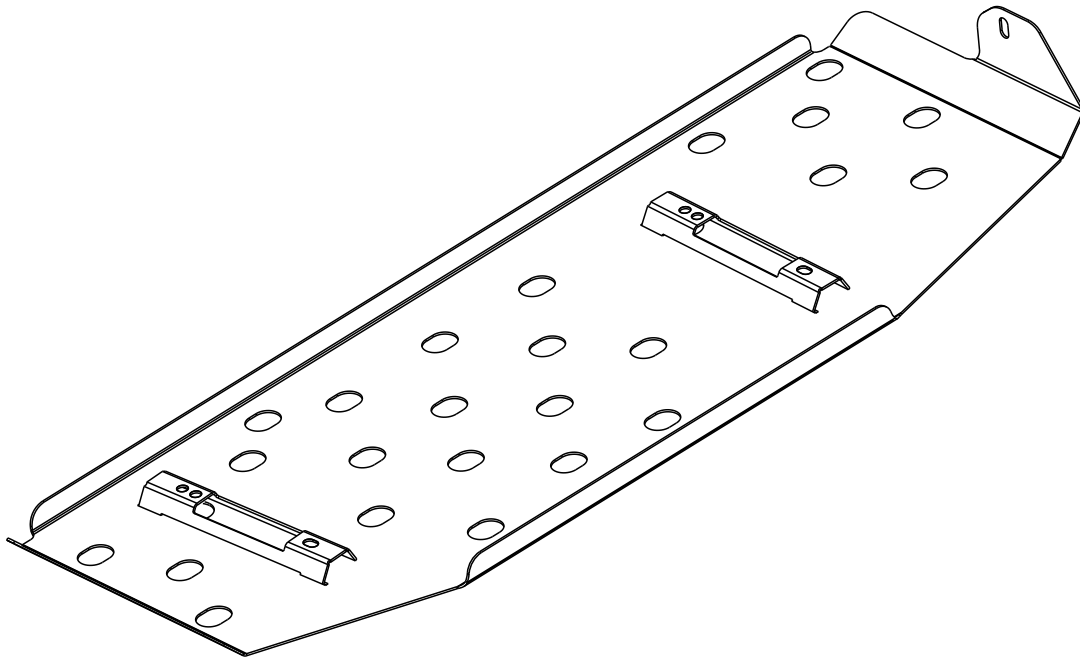
Installation Time:

30 min

Rev.1 27.10.2015

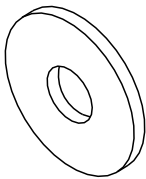
KZNG5-02936-00, KZNG5-02937-00

**A**



KZNG5-02936-60

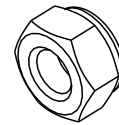
**B**



d=8

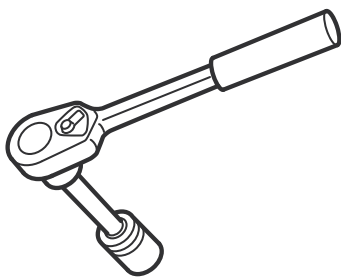
5x

**C**



M8

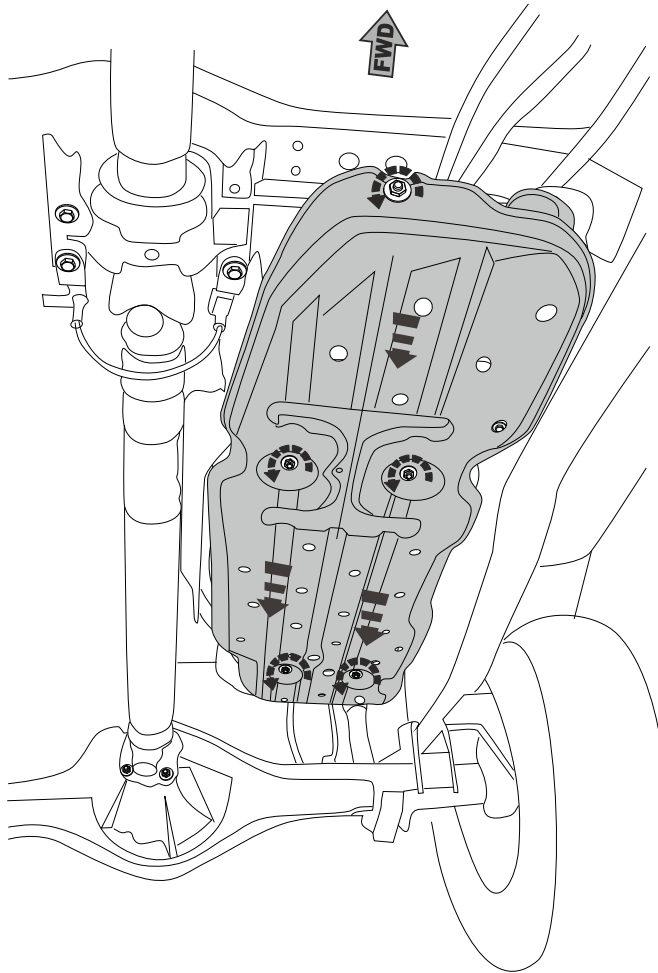
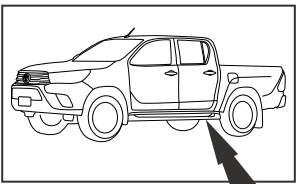
5x



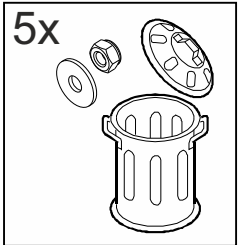
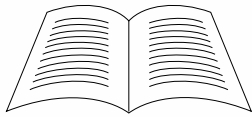
13 mm



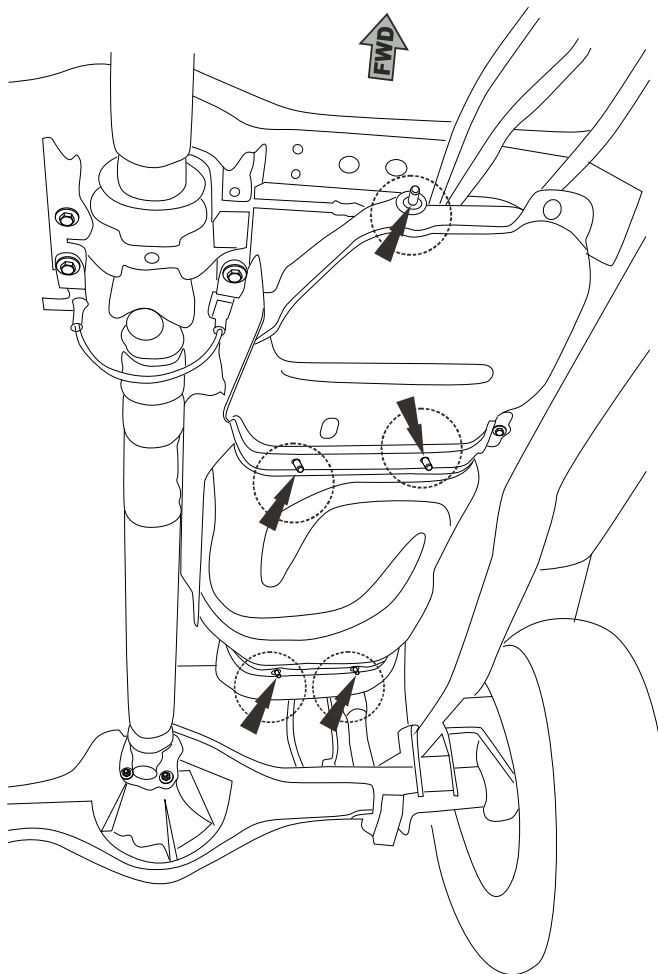
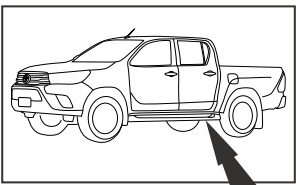
1



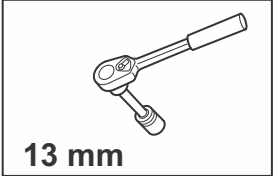
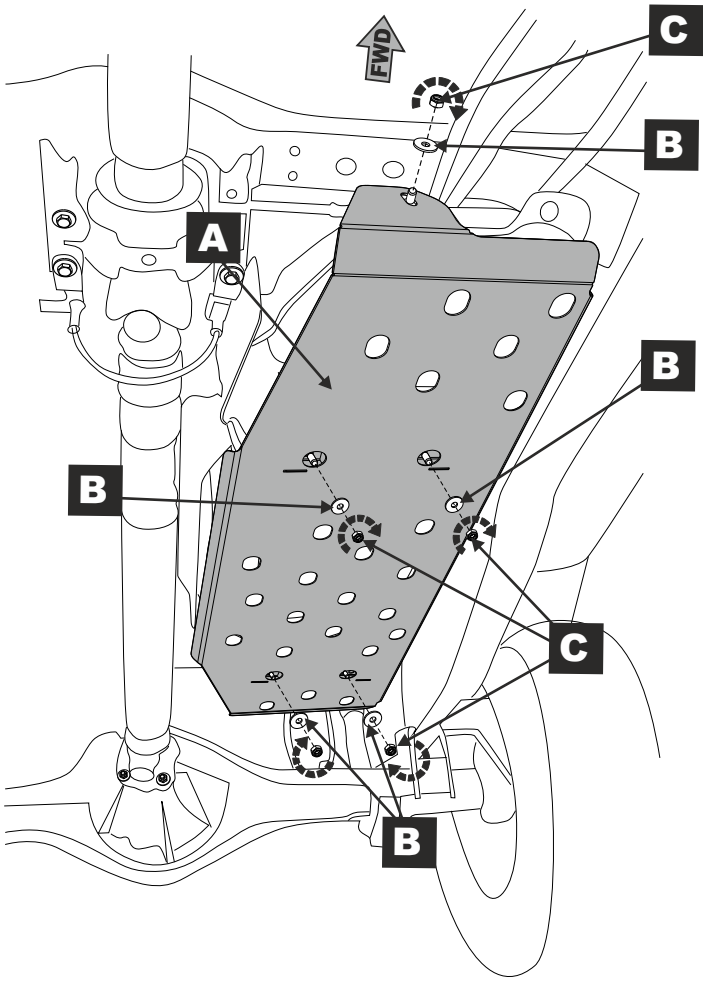
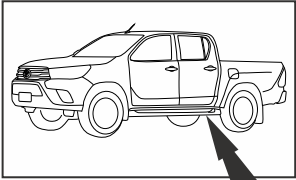
see repair manual



2



**3**



13 mm



24 Nm

**4**

